

Gas Mass Flow Meters with Digital Display

Features

- Direct monitoring of mass flow rate eliminates need for ancillary pressure and temperature sensing
- Digital display of mass flow rate on flow body or remote version for panel mounting
- Electronic output of mass flow rate for control or data-logging
- Fast response to changes in flow rate
- Large, straight sensor tube reduces contamination and maintenance down-time
- Platinum sensor eliminates zero drift and ensures long-term repeatability
- Primary standard calibration ensures starting point accuracy and NIST traceability
- CE Approved



SIERRA
EXPERIENCE OUR PASSION FOR FLOW!



For information online...
www.sierrainstruments.com

Top-Trak® Model 822/824



Description

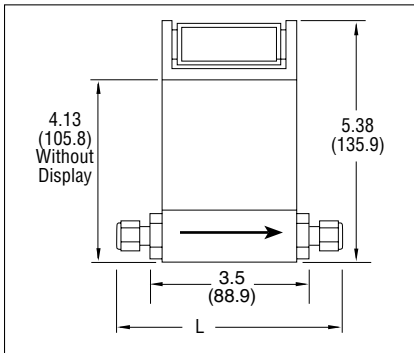
Sierra Instruments' Top-Trak® Model 820 Mass Flow Meter is designed to replace volumetric flow rate devices at a comparable installed cost. No temperature or pressure corrections are required, as in the case of most other flow monitoring devices, such as rotometers, turbine meters or critical orifices.

Available in flow ranges from 0 to 10 sccm up to 0 to 50 slpm, Top-Trak is suitable for any clean gas flow measurement application. Wetted surfaces are rugged 316 stainless steel, nickel plating, 6/6 reinforced Nylon® and Viton® "O" rings; all are corrosion-resistant.

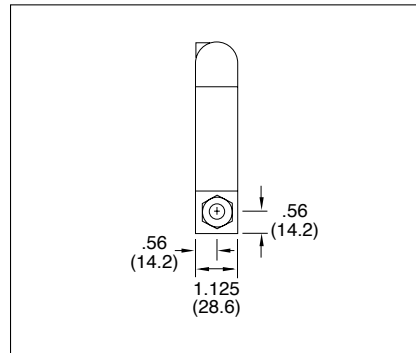
The Model 820 measures and displays the mass flow rate directly in sccm or slpm. The integral instrument display is tiltable over 180° for easy viewing and can be removed for remote panel mounting. A 0 to 5 VDC or 4 to 20 mA output signal linearly proportional to gas mass flow rate is provided for recording, data-logging or control. This device is widely used in a variety of flow validation and calibration applications-by dozens of instrument OEMs and in a multitude of laboratory, test and analytical operations.

Dimensional Specifications

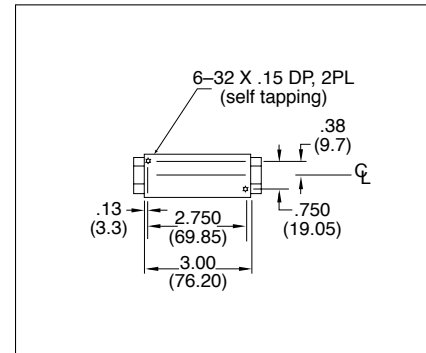
Model 820—Side View



Model 820—Outlet View



Model 820 –Bottom View



All dimensions are inches and in parentheses are millimeters. Certified drawings are available on request.

	FITTING SIZE		
	1/8-inch Compression	1/4-inch Compression	1/4-inch NPT
Dim. L	5.51 (140.0)	5.70 (144.8)	3.50 (88.9)

Performance Specifications

Accuracy

+/- 1.5% of Full Scale including linearity over 15° to 25°C and 5 to 60 psia (0.3 to 4 bara).

If the meter is mounted with a vertical (up or down) flow path the following accuracy de-rating applies:

Inlet Pressure Deviation ²	OPERATING PRESSURE		
	50 psig	100 psig	150 psig
+/- 1 psig	+/- 1.5% of Full Scale	+/- 1.5% of Full Scale	+/- 1.5% of Full Scale
+/- 5 psig	+/- 3.8% of Full Scale	+/- 4.5% of Full Scale	+/- 5.3% of Full Scale
+/- 10 psig	+/- 6% of Full Scale	+/- 7.5% of Full Scale	+/- 9% of Full Scale

Notes: (1) Do not exceed 150 psig.

(2) Difference between inlet pressure and calibrated pressure. Do not exceed ± 10 psig.

Repeatability

+/- 0.5% of Full Scale

Temperature Coefficient

0.08% of Full Scale per °F (0.15% of Full Scale per °C), or better

Pressure Coefficient

0.01% of Full Scale per psi (0.15% of Full Scale per bar), or better

Response Time

800 ms time constant; six seconds (typical) within +/- 2% of final value over 25 to 100% of Full Scale

Operating Specifications

Gases

Most gases; check compatibility with wetted materials; specify when ordering

Mass Flow Rates

0 to 10 sccm up to 0 to 50 slpm; flow ranges specified are for an equivalent flow of nitrogen at 760 mm Hg and 21°C (70°F); other ranges in other units are available (e.g., scfh or nm³/h)

Gas Pressure

150 psig (10 barg) maximum;
20 psig (1.4 barg) optimum

Gas & Ambient Temperature

32 to 122°F (0 to 50°C)

Leak Integrity

1 X 10⁻⁴ atm cc/sec of helium maximum

Pressure Drop

PRESSURE DROP	
Flow Rate	mbar
100 sccm	0.05
1 slpm	0.54
10 slpm	5.40
20 slpm	23
30 slpm	52
40 slpm	88
50 slpm	122

Power Requirements

12 to 15 VDC, 15 VDC nominal, 100 mA maximum
24 VDC optional

Output Signal

Linear 0 to 5 VDC, 1000 ohms minimum load resistance
Linear 4 to 20 mA, 500 ohms maximum loop resistance

Display

3.5 digit LCD (0.6 in H); removable for remote mounting

Physical Specifications

Wetted Materials

10% glass-filled Nylon[®] 6/6, 316 stainless steel, nickel plating,
Viton[®] "O"-rings standard
Neoprene[®] and 4079 Kalrez[®] "O"-rings optional

Ordering the Model 822, 824, 826 or 827

PARENT NUMBER

- 822** Top-Trak® Mass Flow Meter with Display
- 824** Top-Trak® Mass Flow Meter
- 826** Top-Trak® High-Flow Meter with Display
- 827** Top-Trak® High-Flow Meter

INLET/OUTLET FITTINGS

- 1** 1/8-inch Compression, Max flow 5 slpm
- 2** 1/4-inch Compression, Max flow 50 slpm
- 3** 3/8-inch Compression
- 5** 1/4-inch VCO, Max flow 50 slpm
- 8** 1/4-inch VCR, Max flow 50 slpm
- 10** 6 mm Compression, Max flow 50 slpm
- 11** 10 mm Compression
- 13** 1/4-inch NPT, female
- NX** 1/2-inch NTP, female (826, 827)

ELASTOMERS

- OV1** Viton®

INPUT POWER

- PV1** 12 to 15 VDC
- PV2** 24 VDC

OUTPUT SIGNAL

- V1** 0 to 5 VDC, Linear
- V4** 4 to 20 mA, Linear

OPTIONS

- RD(ft)** Remote Display (Cable Length in Feet)
- MP** Medium Pressure Calibration
- LF** Low Flow Calibration (0 to 20 sccm or below)

GAS, FLOW RATE

ACCESSORIES (Consult Factory)
CONNECTORS AND CABLES (Consult Factory)



